

## FEATURES:

- ◆ Including one-Transmitting and one-Receiving branch
- ◆ Integrated PA, LNA, Switch and Filters
- ◆ High  $P_{1dB}$ : >33dBm @ 470~860MHz
- ◆ Low Noise Figure: <3dB
- ◆ RF ports: 50Ω Matched
- ◆ EVM: <3.0 % @27dBm, 802.11
- ◆ Single-ended Power Supply: +12.0V
- ◆ Dimensions: 110 mm x 71 mm x 20 mm

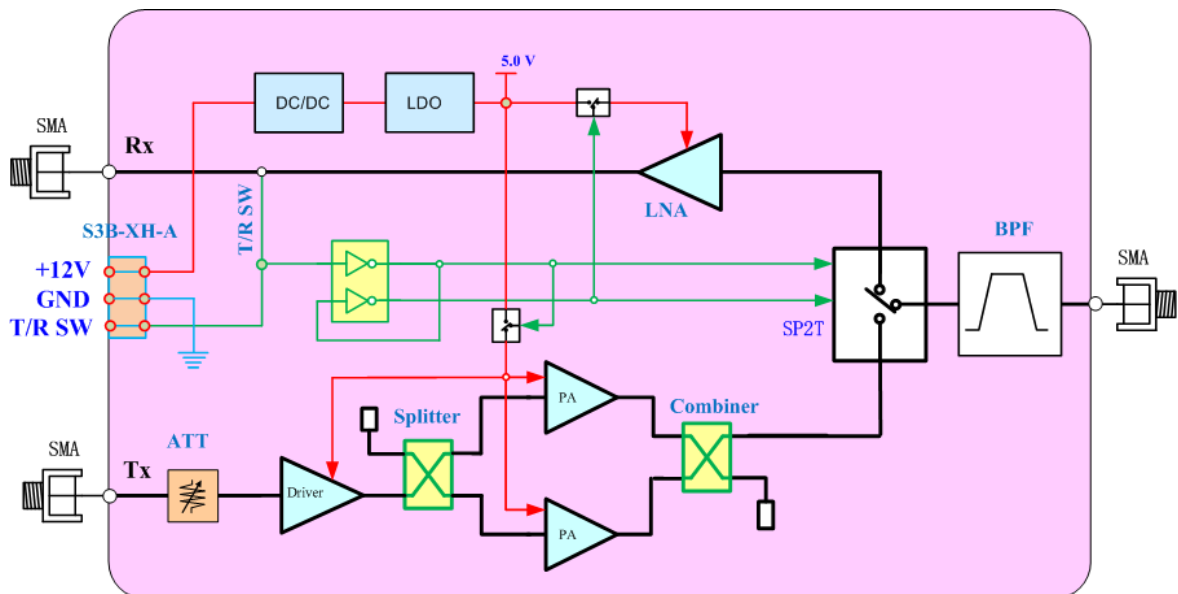


## APPLICATIONS:

- ◆ IEEE802.11 DSSS WLAN
- ◆ IEEE802.11 OFDM WLAN
- ◆ WiMAX
- ◆ TD-SCDMA
- ◆ TD-LTE
- ◆ Access Points, other TDD systems

## GENERAL DESCRIPTION:

HT6080 is a RF front-end module to meet IEEE802.11, WiMAX, TD-SCDMA, TD-LTE and other UHF frequency band of TDD system. The module integrates PA (Power Amplifier), LNA (Low Noise Amplifier), TR switch, filters and corresponding matching circuit. To structure the MIMO system of high performance, compact size and high power, HT6080 is the ideal module.



**CHARACTERISTICS:**

	Parameter	Conditions	Min.	Typ.	Max.	Unit
Tx	Output power	802.11		27	28	dBm
	$P_{1dB}$			34		dBm
	EVM	QPSK 20MHz @ $P_{out}$ =0.5 Watt		2.5	3	%
	Gain			37		dB
	Harmonics			-35		dBm/MHz
	Current	@ $P_{out}$ =0.5 Watt		0.8		A
Rx	NF	Including Filter & Switch		2	3	dB
	Gain			20		dB
	IIP3	1MHz offset		10		dBm
	Input P1dB	CW		-3		dB
	Current				10	mA
	Frequency		470		860	MHz
	ON/OFF time	10 % to 90% of Output		5	10	uS
	Voltage		8	12	16	V

**INTERFACE DEFINITION:**

No.	Definitions	Description
1(left)	+12v	Power Supply, Range: +8V~+16V
2	GND	Ground
3	T/R SW[1]	Switch control for Transmitting or Receiving, 1.8V or 3.3V

**【Note】**

1. T/R SW, switch control signal can also be fed from Rx path through RF cable.

**T/R SWITCH CONTROL:**

T/R Switch	Function
High	Tx
Low	Rx

**CONNECTOR PART NUMBER:**



**OUTLINE DIMENSIONS:**

